

Which one fits where?

<p>Height 1.1 m</p> <p>ECO</p> <hr/> <p>ECO +</p>	<p>GEDA 200 Z</p> <p>GEDA 300 Z</p> <hr/> <p>GEDA 500 Z</p>		
<p>Height 1.1 m</p> <p>STANDARD-BASIC</p> <p>STANDARD</p> <p>COMFORT</p>	<p>GEDA Multilift Range</p> <p>GEDA Multilift P Range</p>	<p>GEDA PH Range</p>	<p>GEDA 300 Z/ZP</p> <p>GEDA 500 Z/ZP</p> <p>GEDA 1500 Z/ZP</p> <p>GEDA ERA 1200 Z/ZP</p> <p>GEDA 500 ZP P</p> <p>GEDA 1500 ZP P</p>
<p>Height 1.8 m/2.1 m</p> <p>HIGH & CLOSED</p> <p>LANDING LEVEL</p> <p>SAFETY GATE</p>	<p>GEDA Multilift Range</p> <p>GEDA Multilift P Range</p>	<p>GEDA PH Range</p>	

To meet the national operator requirements, we offer you other accessories like controls, fasteners, etc.



GEDA
Landing Level Safety Gates

Your GEDA-Dealer:



GEDA-Dechentreiter GmbH & Co.KG
 Mertinger Straße 60
 D-86663 Asbach-Bäumenheim
 Phone +49 (0) 906 9809-0
 Fax +49 (0) 906 9809-50
 info@geda.de
 www.geda.de

New Machinery Directive 2006/42/EG has been prescribed since 29 December 2009!
 ... guards must be fitted with an interlocking device controlled by the position of the carrier!
 (Extract of the Machinery Directive)



The specially developed and **patented interlocking device** ensures that the Landing Level Safety Gates of the ECO-Range meet the requirements of the current Machinery Directive.

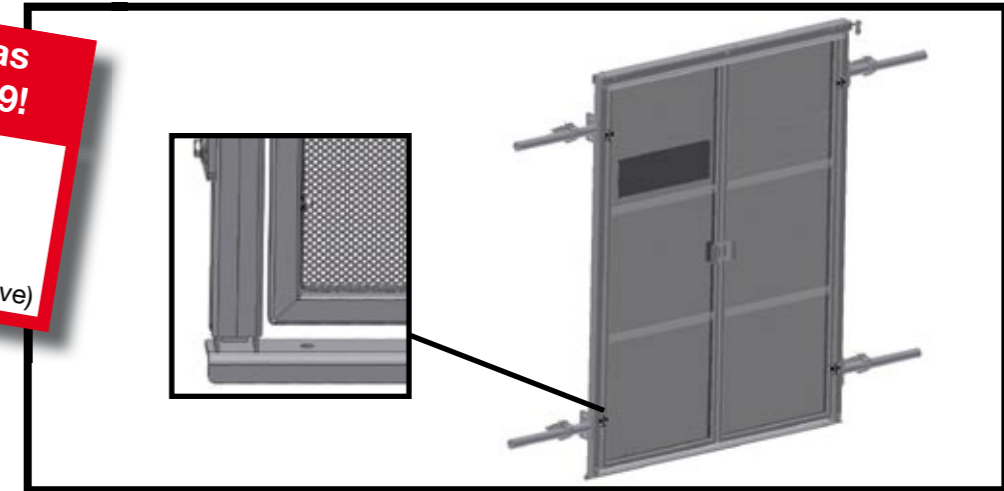
ECO Art. No. 38500 | **ECO +** Art. No. 39700

- suitable for all 2.0 m (2.07 m) - 3.0 m (3.07 m) wide scaffold sections
- lightweight, modular design
- simple and easy erection
- choice of left or right hand opening
- all parts hot dip galvanised
- height **ECO:** 1.1 m **ECO +:** 1.1 m
- weight **ECO:** 20 kg **ECO +:** 25 kg

GEDA - Landing Level Safety Gates ...*

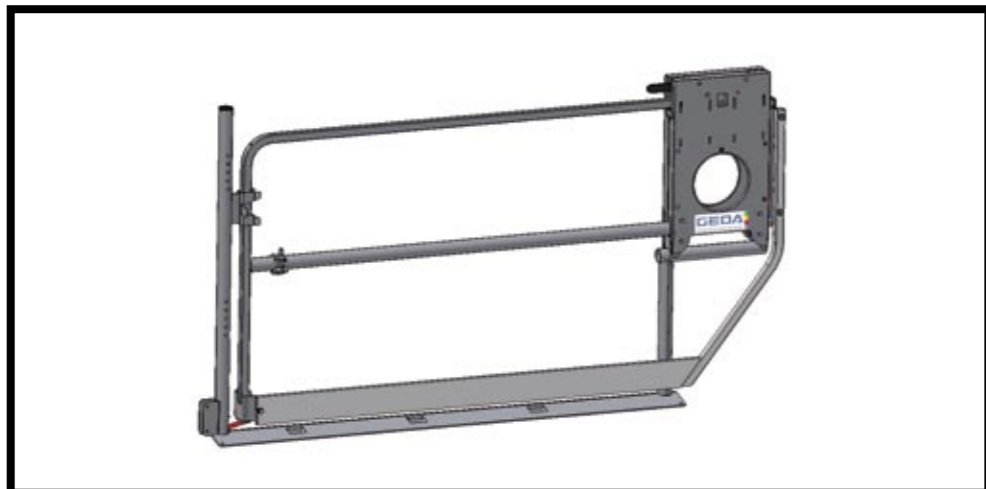
- ▶ ... are compatible with all personnel and material hoists and transport platforms!
- ▶ are an inexpensive, flexible and modular solution for your individual requirements!
- ▶ ... can be adjusted to any structural conditions!

* note the latest national operator requirements



HIGH & CLOSED LANDING LEVEL SAFETY GATE Art. No. 29280

- enables driving without any distance to the building
- necessary for lifting speeds higher than 40m/min.
- simple and easy erection
- all parts hot dip galvanised
- height 1.80 m or 2.10 m
- weight 91 kg



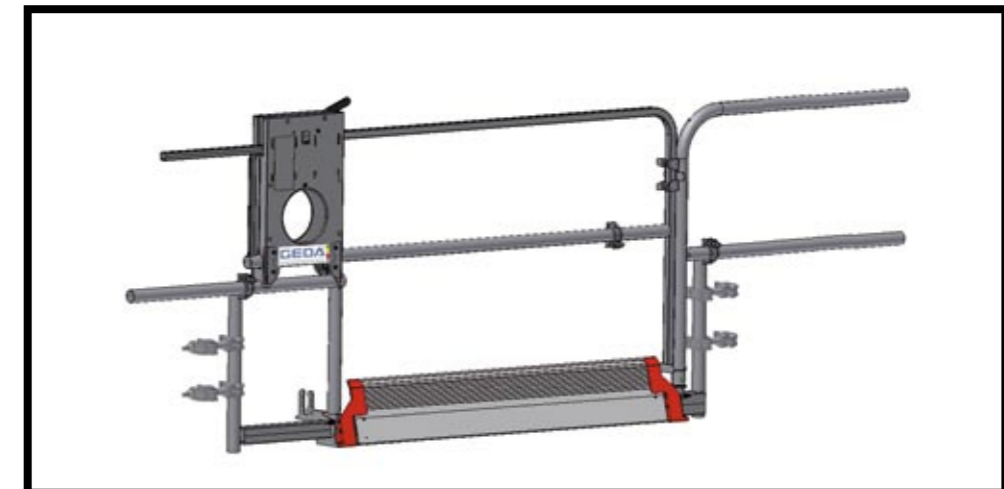
STANDARD - BASIC Art. No. 01268

- suitable for all 2.0 m (2.07 m) wide scaffold sections
- simple and easy erection
- choice of left or right hand opening
- all parts hot dip galvanised
- one-piece (weight 42 kg - height 1.1 m)



STANDARD Art. No. 01217

- suitable for all 2.0 m (2.07 m) - 2.5 m (2.57 m) wide scaffold sections
- simple and easy erection
- choice of left or right hand opening
- all parts hot dip galvanised
- incl. two fixing tubes (height adjustable) and three special couplings (cross)
- one-piece (weight 47 kg - height 1.1 m)



COMFORT Art. No. 01212

- suitable for all 2.0 m (2.07 m) - 3.0 m (3.07 m) wide scaffold sections
- lightweight, modular design
- simple and easy erection
- choice of left or right hand opening
- all parts hot dip galvanised
- incl. four special scaffolding couplings (parallel)
- threepart (weight 7kg/38kg/20kg - height 1.1 m)

